


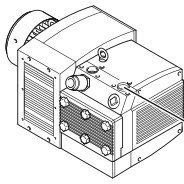







BETRIEBSANLEITUNG  
OPERATING INSTRUCTIONS  
INSTRUCTIONS DE SERVICE  
ISTRUZIONI D'USO  
HANDLEIDING  
INSTRUCCIONES PARA EL MANEJO  
MANUAL DE INSTRUÇÕES  
NAUDOJIMOSI INSTRUKCIJA  
KASUTUSJUHEND  
LIETOŠANAS INSTRUKCIJA  
DRIFTSINSTRUKS  
DRIFTSINSTRUKTIONER  
DRIFTSVEJLEDNING  
INSTRUKCJA OBSŁUGI

KEZELÉSI ÚTMUTATÓ  
NÁVOD K OBSLUZE  
NAVODILO ZA UPORABO  
NÁVOD NA OBSLUHU  
UPUTE ZA RAD  
MANUAL DE OPERATII  
TREORACHA OIBRIÚCHÁIN  
ΟΔΗΓΙΕΣ ΧΡΗΣΗΣ  
EL KITABI  
ИНСТРУКЦИИ ЗА ЕКСПЛОАТАЦИЯ  
ИНСТРУКЦИЯ ПО ЕКСПЛУАТАЦИИ  
取扱説明書  
사용설명서  
使用说明书



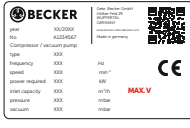
# KDT 3.100


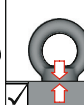


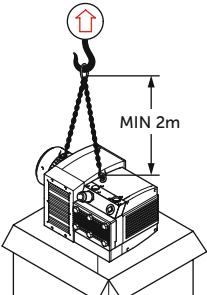
**MAKE IT BECKER.**





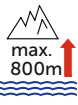
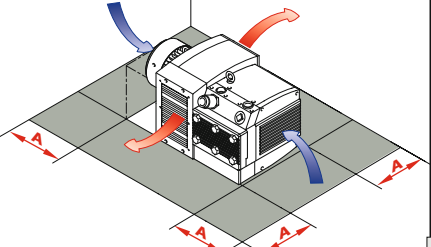
 		
		
 <p><input checked="" type="checkbox"/> <b>AIR</b></p>		
		

1


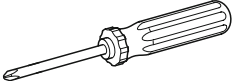

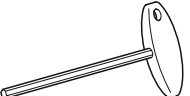

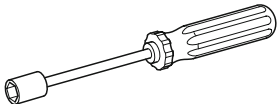
<p><b>MAX. PRESSURE</b></p>  <p><b>MAX.</b></p>		<p>mbar</p>
		<p>m<sup>3</sup>/h</p>
<p><b>L<sub>pA</sub></b> )))</p> <p>DIN EN ISO 11203 Accuracy Class 2 K<sub>son</sub> = 3 dB(A) l ← 1m</p>	<p>L<sub>pA</sub> = 76 dB(A) - 50Hz L<sub>pA</sub> = 78 dB(A) - 60Hz</p>	<p>2</p>

			 <p>107-129 kg 236-284 lbs</p>
 <p>MIN 2m</p>			

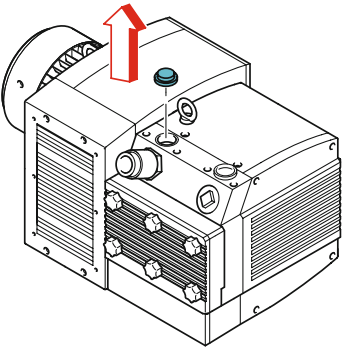
3

<p>A &gt; 100mm A &gt; 4"</p>	 <p>&gt; 5°C/41°F &lt; 45°C/113°F</p>	 <p>max. 90%</p>	 <p>max. 800m</p>
			

4

 <p>No. 2</p>	
 <p>5 mm</p>	
 <p>7 mm 10 mm</p>	

5



6

i+

**MOTOR-PROTECTION**

=

(CF LXX)		SERVICE FACTOR
50Hz	60Hz	
XXX / XXX Y	XXX / XXX X	X RATED CURRENT
XXX / XXX Z	XXX / XXX Z	

7

**GENERAL**

1) motor protection switch ✓

**ADDITIONAL** M  $\geq 5.5$  kW

**RECOMMENDATION**

**A**

Softstart

**B**

ON (I) - 1 2 MAX 10x/h

OFF (0) -

**OPTIONAL**

PTC

Bi-metal

8

9

10

0 2 10 [m]

**PRESSURE**

1 1/2" 2" + 1x

11

i+

<b>BECKER</b>		Color: Becker GmbH Industrie-Post-Box 49193 STTLG GERMANY <a href="http://www.becker-pumps.com">www.becker-pumps.com</a> Make us your partner!		<b>CE</b>
year	XXX/20XX	Hz		
no.	A1225687	speed	m³/min	
Compressor / vacuum pump		power required	kW	
type	XXX	inlet capacity	m³/h	
frequency	XXX	pressure	mbar	
speed	XXX	vacuum	mbar	

12

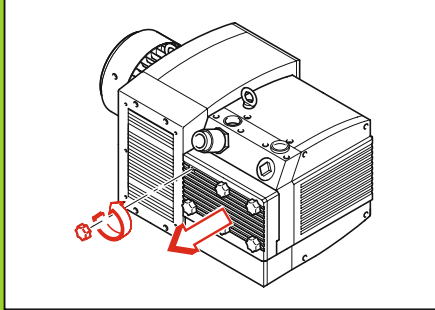
Maintenance



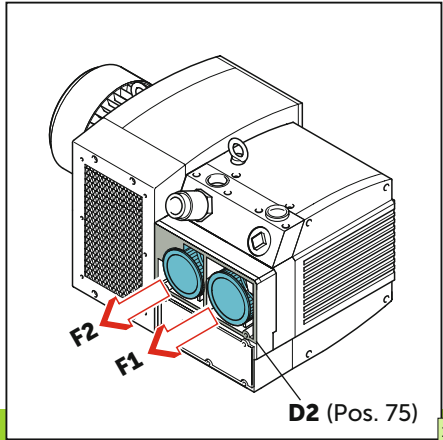
13


14

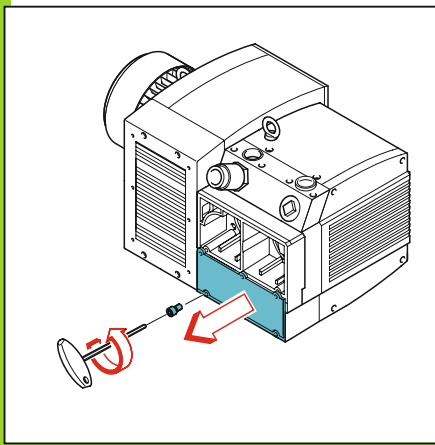
<p><b>CLEANING INTERVAL</b></p>	<p>SUCTION AIR</p>	<p>40h</p> <p>200h</p> <p>EN149 - FFP3 42 CFR 84 - N100</p>
---------------------------------	--------------------	---



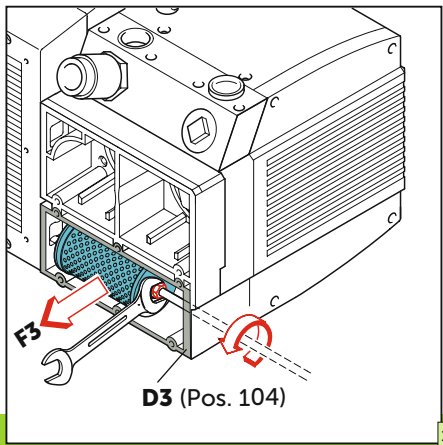
15



16



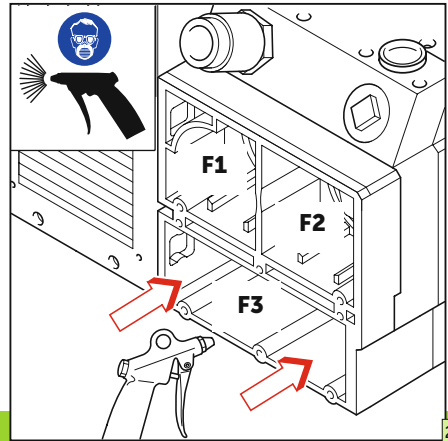
17



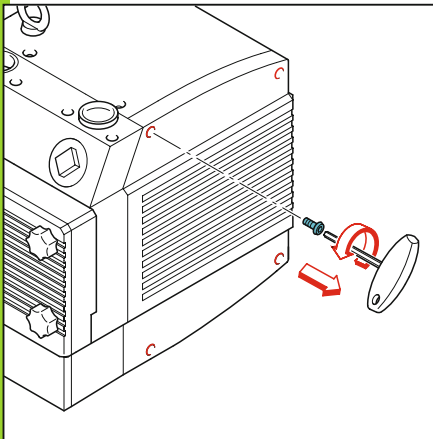
18

<b>F1 = F2</b> (standard)	<b>F2*</b> (polyester) KDT 3.100/6	<b>F3</b> (standard)
No.: 909507	No.: 909587	No.: 909514
	<b>Satz / Kit</b> Pos.: 17, 20, 24, 62, 75, 76, 85, 86, 104, 122, 125, 126, 146 No.: 549000 21300	

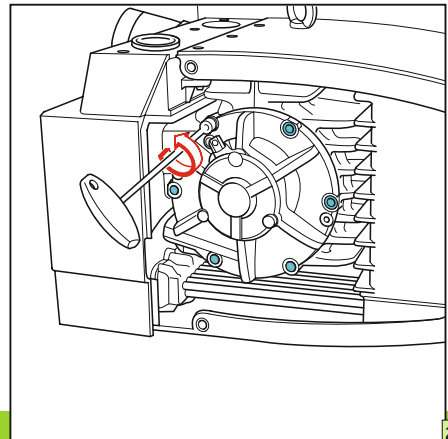
19



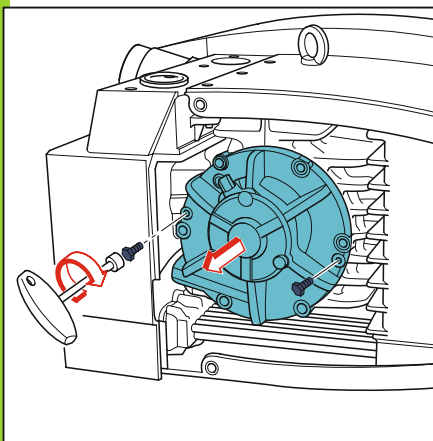
20



21



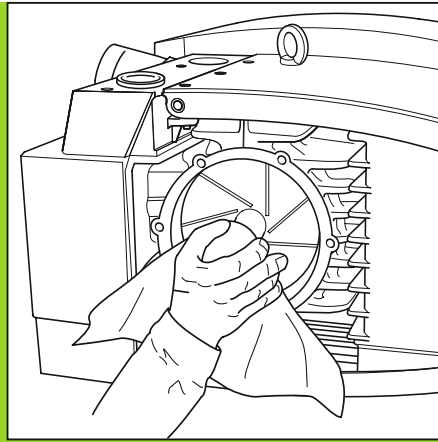
22



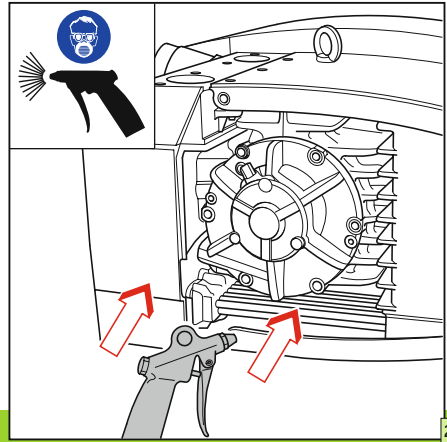
23

<b>3000 h</b>	
	$A_{MAX} = 39\text{mm}$ $A_{MIN} = 26\text{mm}$
<input checked="" type="checkbox"/>	<input checked="" type="checkbox"/>
<input type="checkbox"/>	$A_{MIN} < 26\text{mm}$
KDT 3.100 (standard) → No. 90133300004 (SET) KDT 3.100/0-52 → No. 90138000004 (SET) KDT 3.100/6-54 → " " " KDT 3.100/6-29 → No. 90138000007 (SET) KDT 3.100/6-71 → " " " KDT 3.100/6-71 HD → No. 90140000007 (SET)	

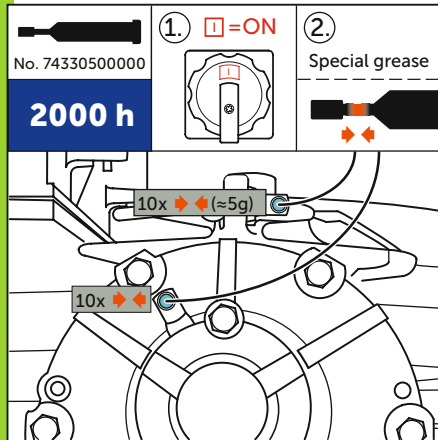
24



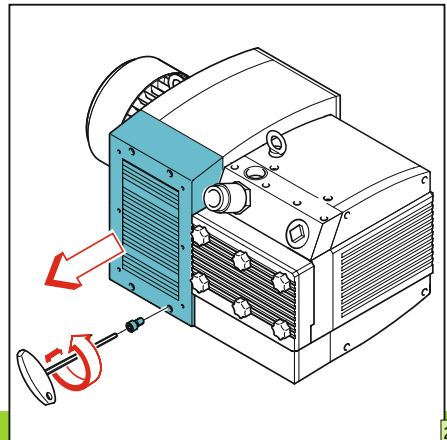
25



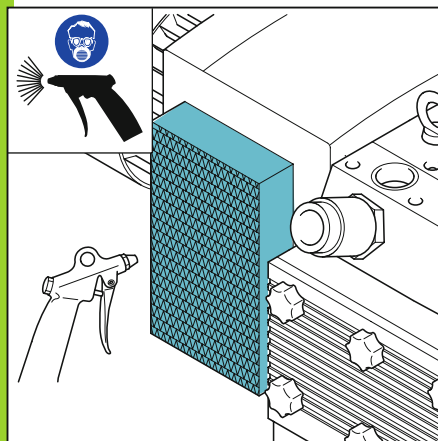
26



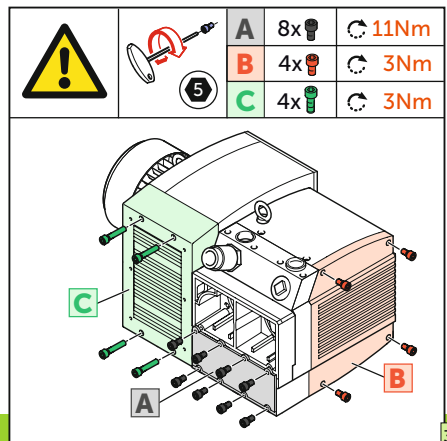
27



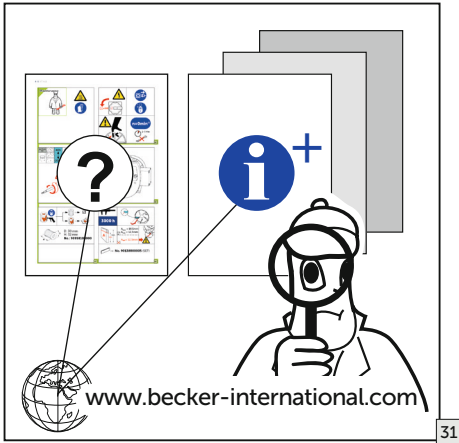
28



29



30



[WWW.BECKER-INTERNATIONAL-SHOP.COM](http://WWW.BECKER-INTERNATIONAL-SHOP.COM)

Gebr. Becker GmbH  
Hoelker Feld 29-31  
42279 WUPPERTAL  
GERMANY  
[info@becker-international.com](mailto:info@becker-international.com)  
[www.becker-international.com](http://www.becker-international.com)





**MAKE IT BECKER.**

2810.0021201 | 2021-12-14 | All rights reserved