


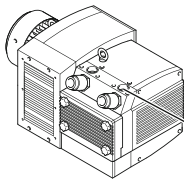







BETRIEBSANLEITUNG
OPERATING INSTRUCTIONS
INSTRUCTIONS DE SERVICE
ISTRUZIONI D'USO
HANDLEIDING
INSTRUCCIONES PARA EL MANEJO
MANUAL DE INSTRUÇÕES
NAUDOJIMOSI INSTRUKCIJA
KASUTUSJUHEND
LIETOŠANAS INSTRUKCIJA
DRIFTSINSTRUKS
DRIFTSINSTRUKTIONER
DRIFTSVEJLEDNING
INSTRUKCJA OBSŁUGI

KEZELÉSI ÚTMUTATÓ
NÁVOD K OBSLUZE
NAVODILO ZA UPORABO
NÁVOD NA OBSLUHU
UPUTE ZA RAD
MANUAL DE OPERATII
TREORACHA OIBRIÚCHÁIN
ΟΔΗΓΙΕΣ ΧΡΗΣΗΣ
EL KITABI
ИНСТРУКЦИИ ЗА ЕКСПЛОАТАЦИЯ
ИНСТРУКЦИЯ ПО ЕКСПЛОАТАЦИИ
取扱説明書
사용설명서
使用说明书

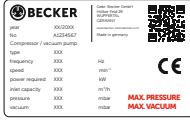

DVT 3.60

MAKE IT BECKER.


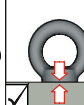


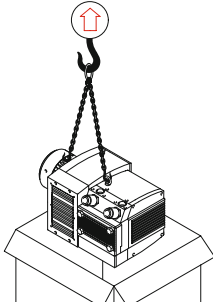


 		
		
 <p>AIR</p>		
		


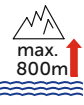
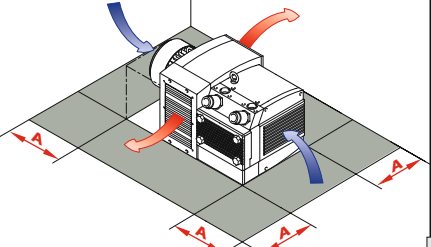
1

<p>MAX. PRESSURE</p> <p>MAX. VACUUM</p>		<p>mbar</p>
	 <p>MAX.</p>	
<p>L_{pA})))</p> <p>DIN EN ISO 11203 Accuracy Class 2 K_{pA} = 3 dB(A) l ← 1m</p>		<p>L_{pA} = 75 dB(A) - 50Hz</p> <p>L_{pA} = 76 dB(A) - 60Hz</p>


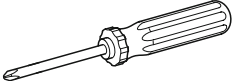

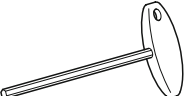

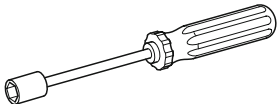
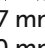
2

			 <p>71 kg 156,5 lbs</p>
			

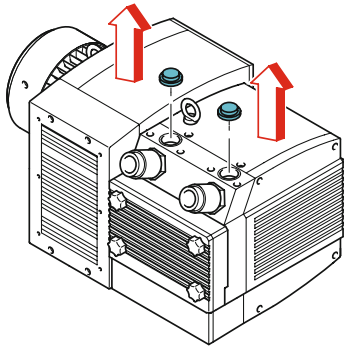
3

<p>A > 100mm A > 4"</p>	<p>> 5°C/41°F < 45°C/113°F</p>	 <p>max. 90%</p>	 <p>max. 800m</p>
			

4

 <p>No. 2</p>	
 <p>5 mm</p>	
 <p>7 mm</p>	
 <p>10 mm</p>	

5



6

MOTOR-PROTECTION

=

50Hz	60Hz
XXX / XXX V	XXX / XXX V
XXX / XXX A	XXX / XXX A

SERVICE FACTOR

X

RATED CURRENT

7

optional

Bi-metal

PTC

¹⁾ motor protection switch

8

9

10

PRESSURE

0 2 10 [m]

VACUUM

11




BECKER		Gate Sensor Circuit without field 20 011816176 011816177 011816178	
year	XX/20XX		
No.	A1234567		
Compressor / vacuum pump			
type	XXX		
frequency	XXX	Hz	CE
speed	XXX	mm³/s	
power required	XXX	kW	
inlet capacity	XXX	m³/h	
pressure	XXX	mbar	
vacuum	XXX	mbar	

PRESSURE


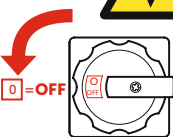




VACUUM

12


Maintenance


13


n=0min⁻¹



2-3 Min



14




CLEANING INTERVAL

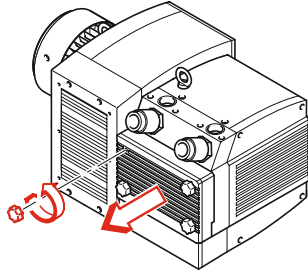
SUCTION AIR

40h

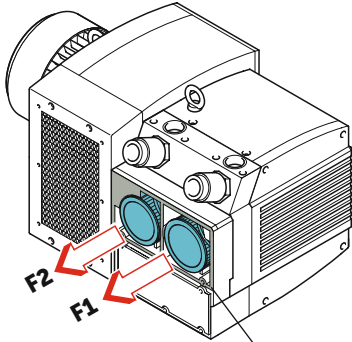
200h



EN149 - FFP2
42 CFR 84 - N95

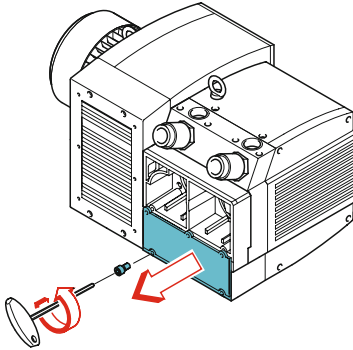


15

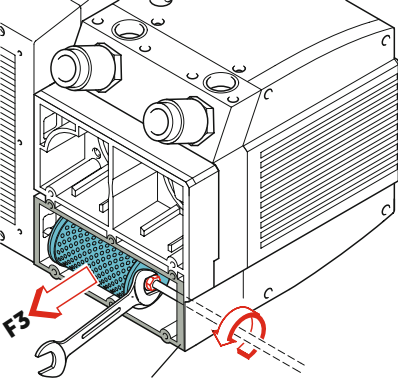


D2 (Pos. 75)

16


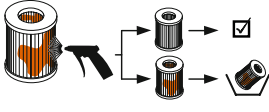
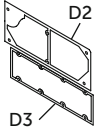


17

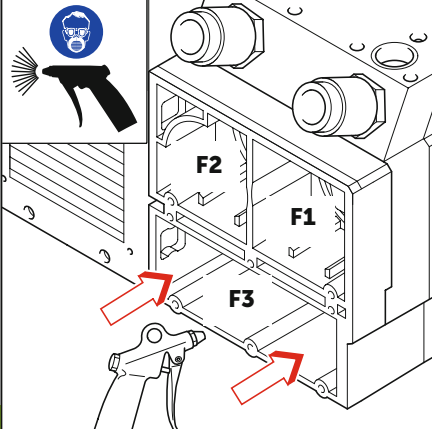


D3 (Pos. 104)

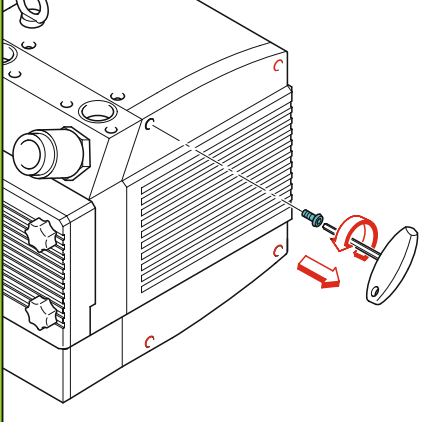
18

		
EN149 - FFP2 42 CFR 84 - N95		
		
F1 No.: 909507	F2 No.: 909506	F3 No.: 909510
	Satz / Kit Pos.: 17, 20, 24, 62, 75, 76, 85, 86, 104, 125, 126, 127, 146, 247, 248, 288 ► No.: 549002 21100	

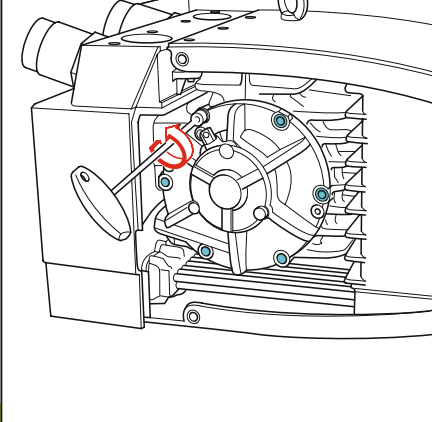
19



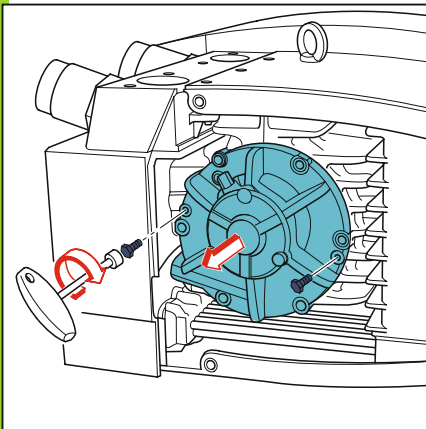
20




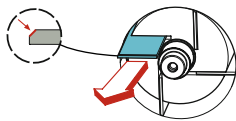
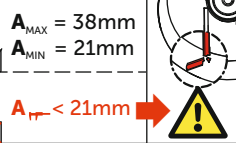
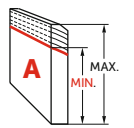



21



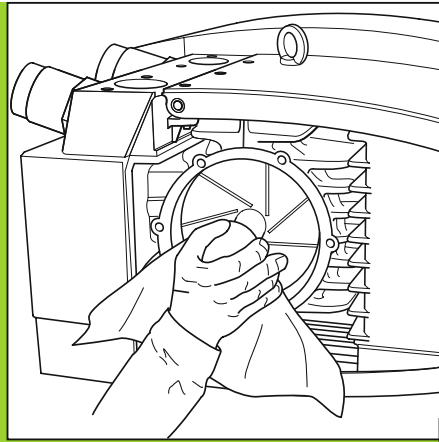
22



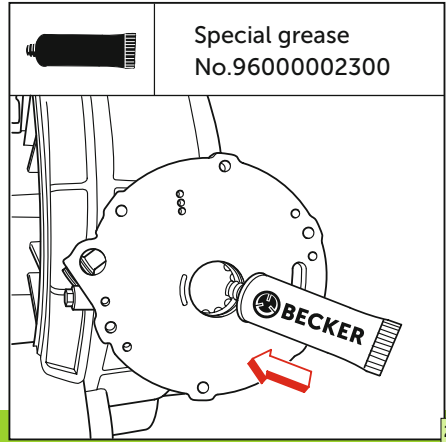
23

	
3000 h	
	$A_{MAX} = 38mm$ $A_{MIN} = 21mm$ $A_{TYP} < 21mm$
	
	No. 9013300007 (SET)

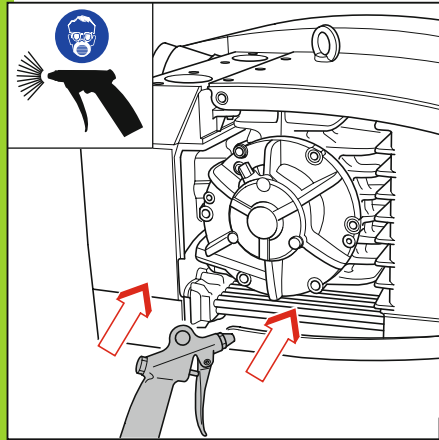
24



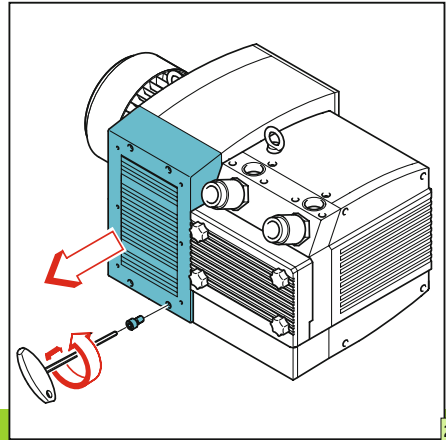
25



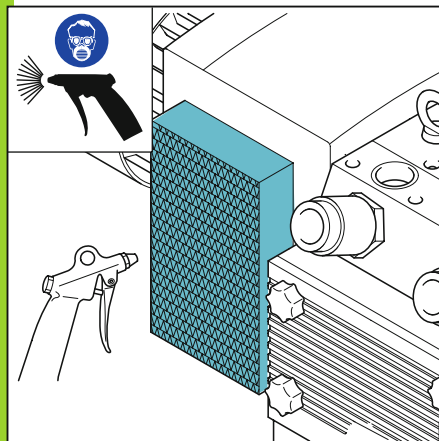
26



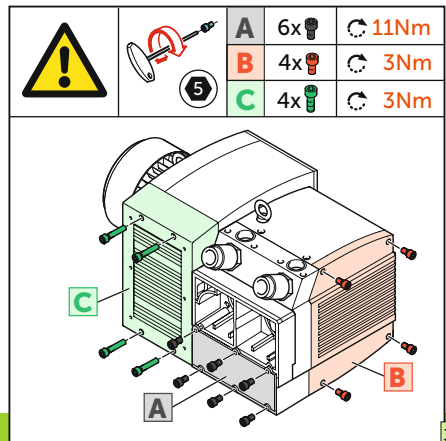
27



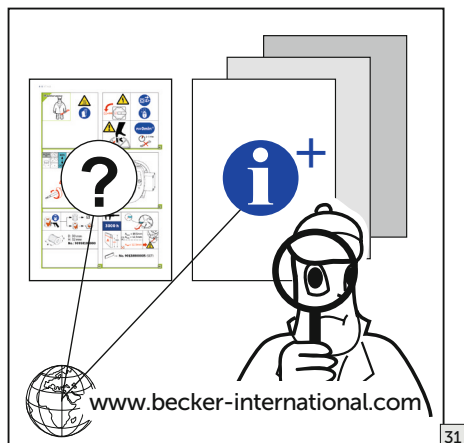
28



29



30



31



WWW.BECKER-INTERNATIONAL-SHOP.COM

Gebr. Becker GmbH
Hölker Feld 29-31
42279 WUPPERTAL
GERMANY
info@becker-international.com
www.becker-international.com





MAKE IT BECKER.