


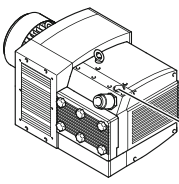







BETRIEBSANLEITUNG  
OPERATING INSTRUCTIONS  
INSTRUCTIONS DE SERVICE  
ISTRUZIONI D'USO  
HANDLEIDING  
INSTRUCCIONES PARA EL MANEJO  
MANUAL DE INSTRUÇÕES  
NAUDOJIMOSI INSTRUKCIJA  
KASUTUSJUHEND  
LIETOŠANAS INSTRUKCIJA  
DRIFTSINSTRUKS  
DRIFTSINSTRUKTIONER  
DRIFTSVEJLEDNING  
INSTRUKCJA OBSŁUGI

KEZELÉSI ÚTMUTATÓ  
NÁVOD K OBSLUZE  
NAVODILO ZA UPORABO  
NÁVOD NA OBSLUHU  
UPUTE ZA RAD  
MANUAL DE OPERATII  
TREORACHA OIBRIÚCHÁIN  
ΟΔΗΓΙΕΣ ΧΡΗΣΗΣ  
EL KITABI  
ИНСТРУКЦИИ ЗА ЕКСПЛОАТАЦИЯ  
ИНСТРУКЦИЯ ПО ЕКСПЛУАТАЦИИ  
取扱説明書  
사용설명서  
使用说明书

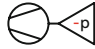



# KVT 3.100

**MAKE IT BECKER.**


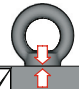


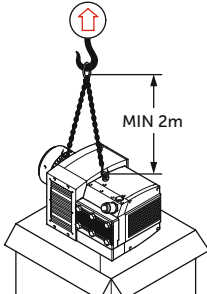


 	
	
 <p><b>AIR</b></p>	 
	 



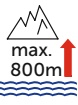
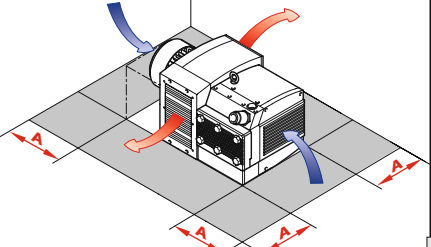
1

 <p><b>MAX. VACUUM</b></p>	 <p>mbar</p>
 <p><b>MAX.</b></p>	 <p>m<sup>3</sup>/h</p>
<p><b>L<sub>pA</sub></b> )))</p> <p>DIN EN ISO 11203 Accuracy Class 2 K<sub>pa</sub> = 3 dB(A) l ← 1m</p>	<p>L<sub>pA</sub> = 75 dB(A) - 50Hz L<sub>pA</sub> = 77 dB(A) - 60Hz</p>


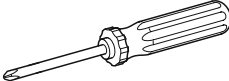



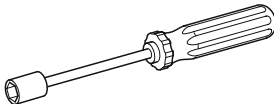
2

			 <p>101 kg 223 lbs</p>
			

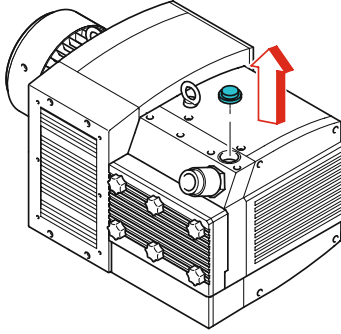
3

<p>A &gt; 100mm A &gt; 4"</p>	 <p>&gt; 5°C/41°F &lt; 45°C/113°F</p>	 <p>max. 90%</p>	 <p>max. 800m</p>
			

4

 <p>No. 2</p>	
 <p>5 mm</p>	
 <p>7 mm 10 mm</p>	

5



6

**MOTOR-PROTECTION**

=

(CF 1,XX)	
50Hz	60Hz
XXX / XXX V	XXX / XXX V
(XX / XX A)	(XX / XX A)

SERVICE FACTOR X RATED CURRENT

7

optional

Bi-metal

PTC

1) motor protection switch

8

9

10

11

<b>BECKER</b>		Color: Becker GmbH Industrie-Post 20 WUTROTHAL Germany Made in Germany	 <b>CE</b>
year	XXX/20XX		
no.	A1234567		
Compressor / vacuum pump			
type	XXX		
frequency	XXX	Hz	
speed	XXX	mm <sup>3</sup>	
power required	XXX	kW	
inlet capacity	XXX	m <sup>3</sup> /h	
pressure	XXX	mbar	
vacuum	XXX	mmHg	

12

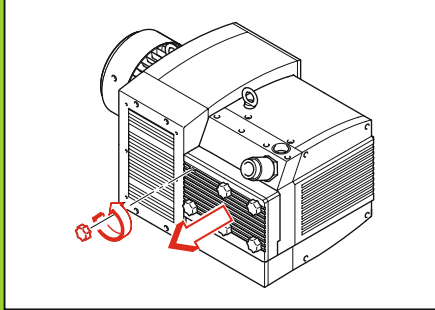
Maintenance



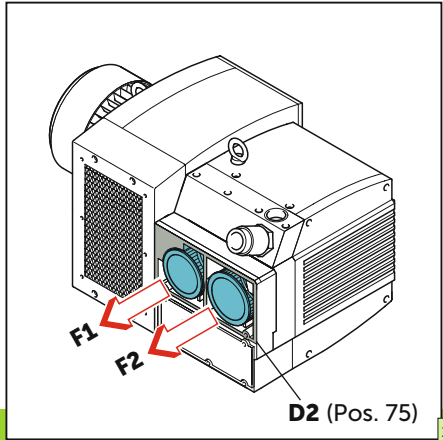
13


14

 <b>CLEANING INTERVAL</b>	<p>SUCTION AIR</p>	<p>40h</p> <p>↕</p> <p>200h</p>	 EN149 - FFP3 42 CFR 84 - N100
------------------------------	--------------------	---------------------------------	--------------------------------------



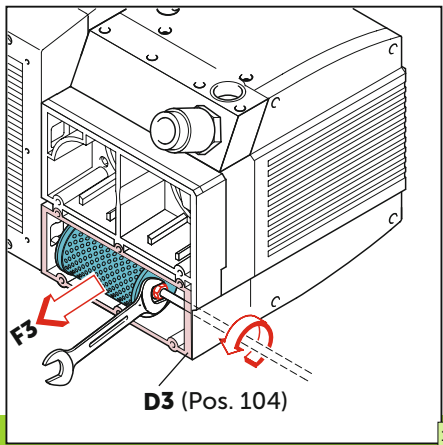
15



16

<p>optional en option optionale opcional</p>	 <input checked="" type="checkbox"/> KVT 3.100/0 <input checked="" type="checkbox"/> KVT 3.100/6	
--	--	--

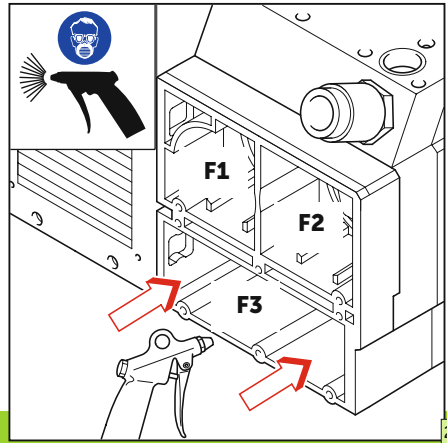
17



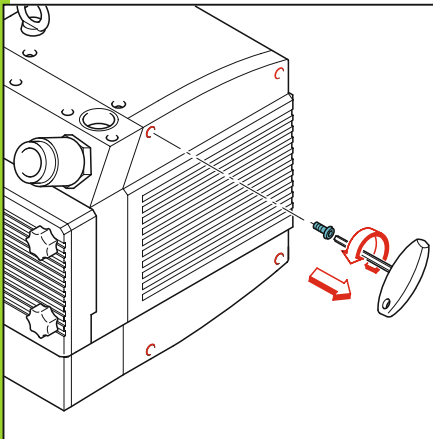
18

<b>F1 = F2</b> (standard)	<b>F2*</b> (polyester) KVT 3.100/6	<b>F3</b> (standard)
No.: 909507	No.: 909587	No.: 909514
	Satz / Kit Pos.: 20, 24, 62, 75, 76, 85, 104, 122, 125, 126, 146 No.: 549000 21300	

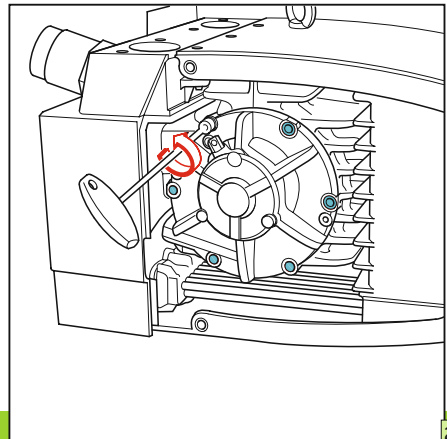
19



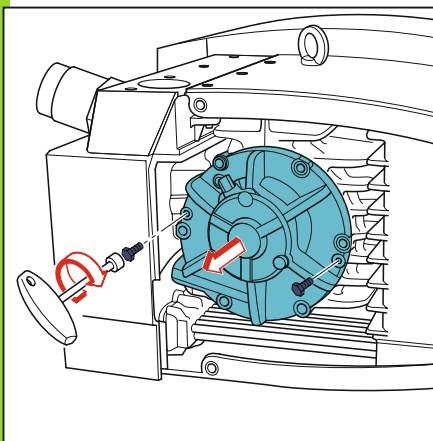
20



21



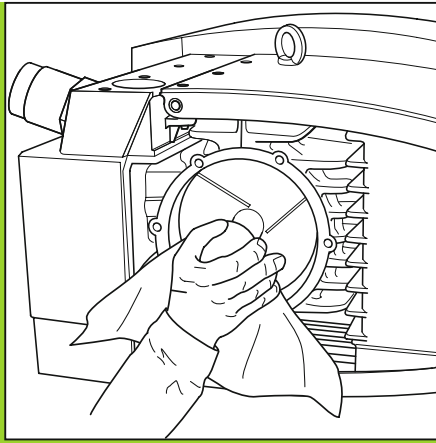
22



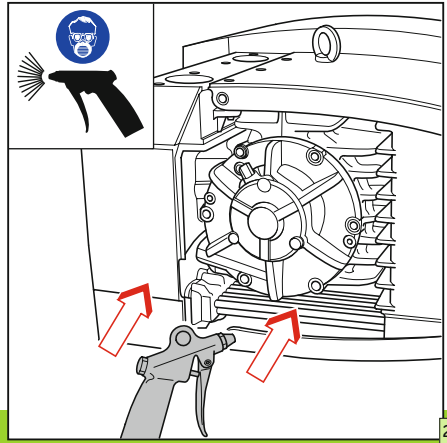
23

<b>3000 h</b>	
	$A_{MAX} = 39mm$ $A_{MIN} = 26mm$
	$A_{FIL} < 26mm$
KVT 3.100 (standard) → No. 90133300004 (SET) KVT 3.100/6 → No. 90138000004 (SET)	

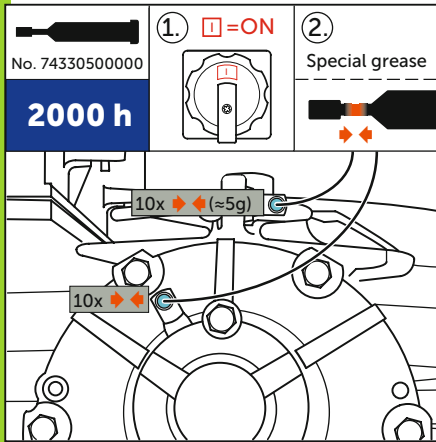
24



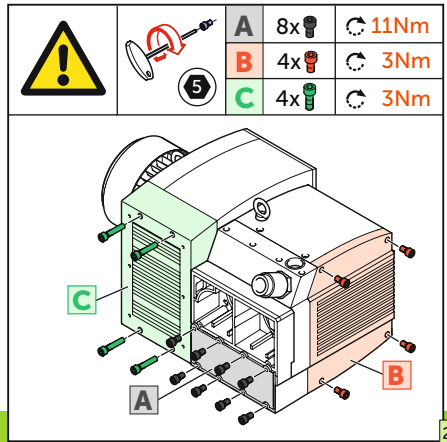
25



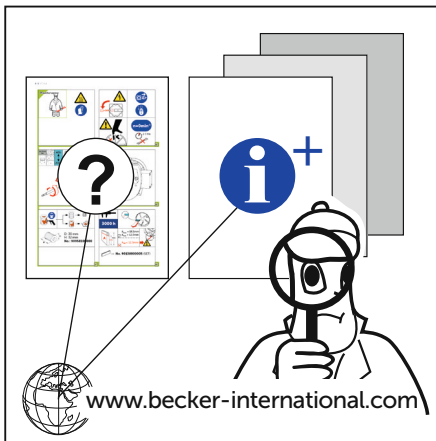
26



27



28





[WWW.BECKER-INTERNATIONAL-SHOP.COM](http://WWW.BECKER-INTERNATIONAL-SHOP.COM)

Gebr. Becker GmbH  
Hoelker Feld 29-31  
42279 WUPPERTAL  
GERMANY  
[info@becker-international.com](mailto:info@becker-international.com)  
[www.becker-international.com](http://www.becker-international.com)





**MAKE IT BECKER.**